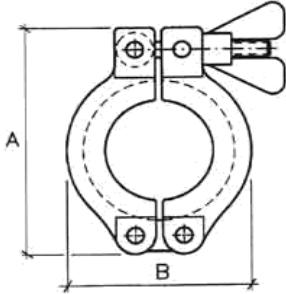


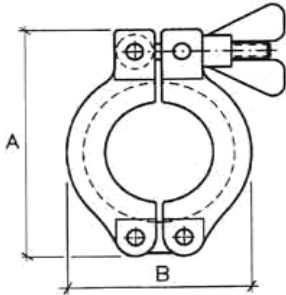
KF COMPONENTS

Aluminium clamping ring



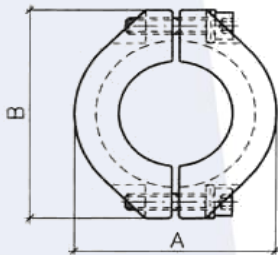
DN - KF	A	B	C	D	CODE
10/16	62	42	-	-	K001
20/25	75	54	-	-	K002
32/40	90	69	-	-	K003
50	121	93	-	-	K004

Aisi 304 clamping ring



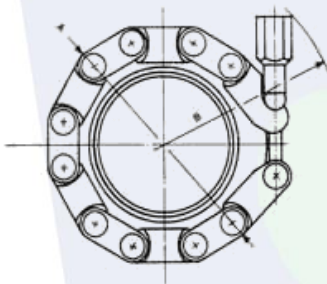
DN - KF	A	B	C	D	CODE
10/16	62	42	-	-	K005
20/25	75	52	-	-	K006
32/40	90	67	-	-	K007
50	115	85	-	-	K008

Aisi 304 half-moon steel clamp



DN - KF	A	B	C	D	CODE
10/16	47	55	-	-	K009
20/25	57	67	-	-	K010
32/40	72	83	-	-	K011
50	96	112	-	-	K012

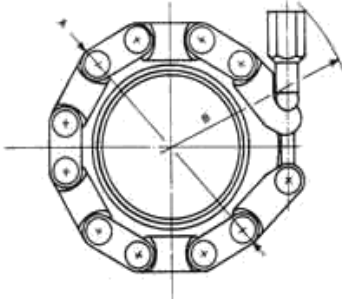
Nylon-glassfiber chain clamping ring



DN - KF	A	B	C	D	CODE
10/16	52	48	-	-	K013
20/25	64	55	-	-	K014
32/40	78	59	-	-	K015
50	97	68	-	-	K016

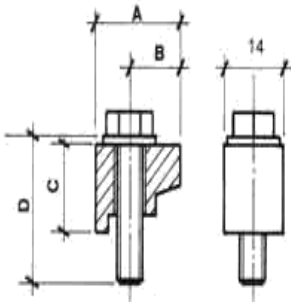
KF COMPONENTS

Non-magnetic aluminium chain clamp



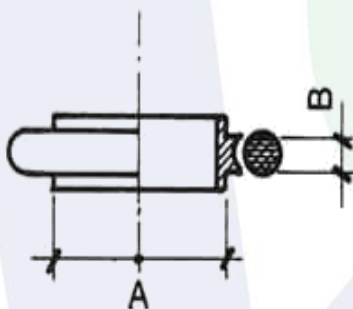
DN - KF	A	B	C	D	CODE
10/16	49	45	-	-	K017
20/25	58	54	-	-	K018
32/40	74	62	-	-	K019
50	93	76	-	-	K020

Aluminium wall clamp



DN - KF	A	B	C	D	CODE
10	20	12	15	20	K021
16	20	12	15	20	K022
20	20	12	15	20	K023
25	20	12	15	20	K024
32	20	12	15	20	K025
40	20	12	15	20	K026
50	20	12	15	20	K027

Aisi 304 centering ring

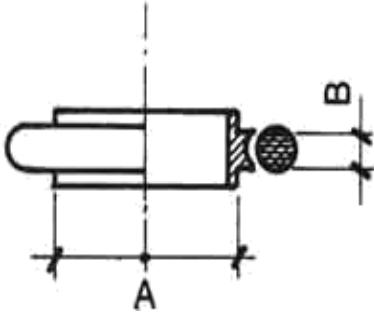


NBR O-ring
T. Max = 110°

DN - KF	A	B	C	D	CODE
10	12	3,9	-	-	K028
16	17	3,9	-	-	K029
20	22	3,9	-	-	K030
25	26	3,9	-	-	K031
32	34	3,9	-	-	K032
40	41	3,9	-	-	K033
50	52	3,9	-	-	K034

KF COMPONENTS

Aisi 316 centering ring

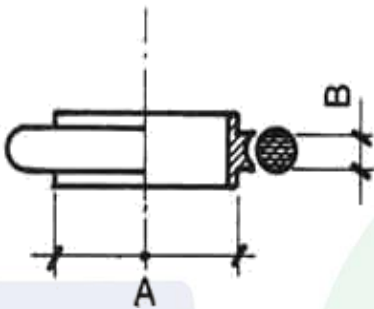


DN - KF	A	B	C	D	CODE
10	12	3,9	-	-	K035
16	17	3,9	-	-	K036
25	26	3,9	-	-	K037
40	41	3,9	-	-	K038
50	52	3,9	-	-	K039

NBR O-ring

T. Max = 110°

Aisi 304 centering ring

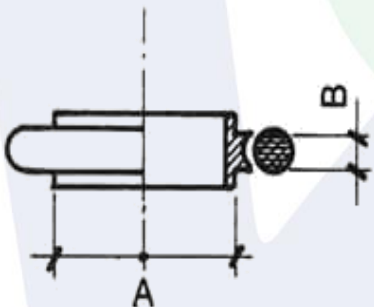


DN - KF	A	B	C	D	CODE
10	12	3,9	-	-	K040
16	17	3,9	-	-	K041
20	22	3,9	-	-	K042
25	26	3,9	-	-	K043
32	34	3,9	-	-	K044
40	41	3,9	-	-	K045
50	52	3,9	-	-	K046

VITON® O-ring

T. Max = 200°

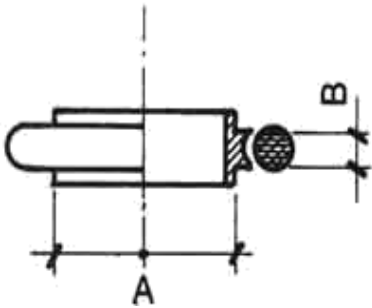
Aisi 316 centering ring



DN - KF	A	B	C	D	CODE
10	12	3,9	-	-	K047
16	17	3,9	-	-	K048
25	26	3,9	-	-	K049
40	41	3,9	-	-	K050
50	52	3,9	-	-	K051

KF COMPONENTS

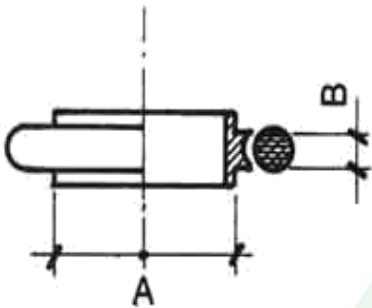
Aisi 304 centering ring



DN - KF	A	B	C	D	CODE
10	12	3,9	-	-	K052
16	17	3,9	-	-	K053
25	26	3,9	-	-	K054
40	41	3,9	-	-	K055
50	52	3,9	-	-	K056

SILICONE O-ring

Aluminium centering ring

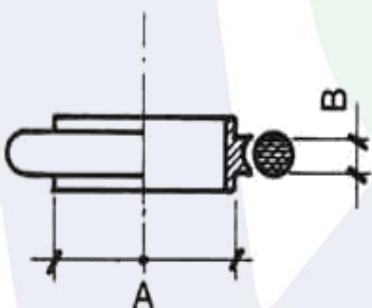


DN - KF	A	B	C	D	CODE
10	12	3,9	-	-	K057
16	17	3,9	-	-	K058
25	26	3,9	-	-	K059
40	41	3,9	-	-	K060
50	52	3,9	-	-	K061

NBR O-ring

T. Max = 110°

Aluminium centering ring



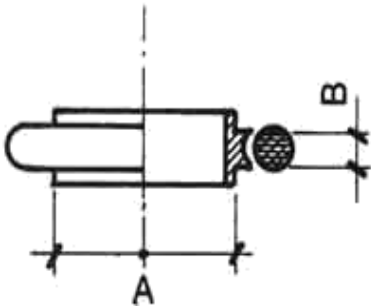
DN - KF	A	B	C	D	CODE
10	12	3,9	-	-	K062
16	17	3,9	-	-	K063
25	26	3,9	-	-	K064
40	41	3,9	-	-	K065
50	52	3,9	-	-	K066

VITON® O-ring

T. Max = 200°

KF COMPONENTS

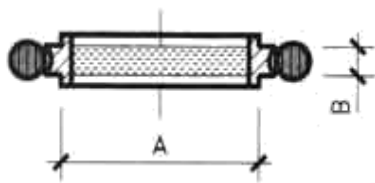
PVC centering ring



DN - KF	A	B	C	D	CODE
10	12	3,9	-	-	K067
16	17	3,9	-	-	K068
25	26	3,9	-	-	K069
40	41	3,9	-	-	K070
50	52	3,9	-	-	K071

VITON® O-ring
T. Max = 200°

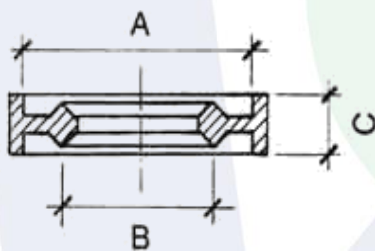
Aisi 304 centering ring with sintered filter



DN - KF	A	B	C	D	CODE
10	12	3,9	-	-	K072
16	17	3,9	-	-	K073
25	26	3,9	-	-	K074
40	41	3,9	-	-	K075
50	52	3,9	-	-	K076

VITON® O-ring
T. Max = 200°

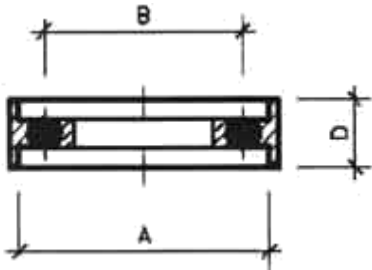
Metallic aluminium O-ring



DN - KF	A	B	C	D	CODE
10/16	30	23	8	-	K077
20/25	40	33	8	-	K078
32/40	55	48	8	-	K079
50	75	63	8	-	K080

KF COMPONENTS

Vacuum pressure centering ring (ext. aluminium / int. aisi 304)

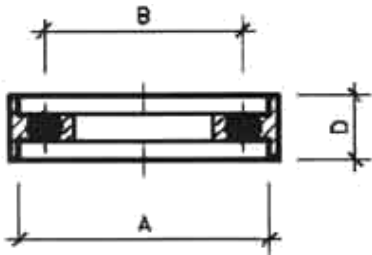


DN - KF	A	B	C	D	CODE
10/16	30	23	-	8	K081
20/25	40	33	-	8	K082
32/40	55	48	-	8	K083
50	75	60	-	8	K084

NBR O-ring

T. Max = 110°

Vacuum pressure centering ring (ext. aluminium / int. aisi 304)

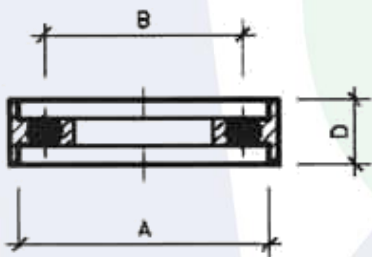


DN - KF	A	B	C	D	CODE
10/16	30	23	-	8	K085
20/25	40	33	-	8	K086
32/40	55	48	-	8	K087
50	75	60	-	8	K088

VITON® O-ring

T. Max = 200°

Aisi 304 vacuum pressure centering ring



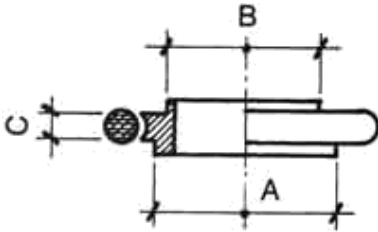
DN - KF	A	B	C	D	CODE
10/16	30	23	-	8	K089
20/25	40	33	-	8	K090
32/40	55	48	-	8	K091
50	75	60	-	8	K092

VITON® O-ring

T. Max = 200°

KF COMPONENTS

Aisi 304 reduction centering ring

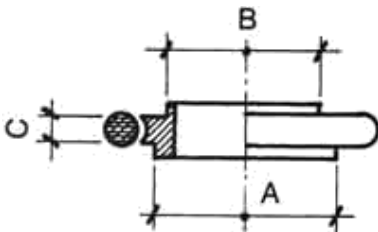


DN - KF	A	B	C	D	CODE
10/16	17	12	3,9	-	K093
20/25	26	22	3,9	-	K094
32/40	41	34	3,9	-	K095

NBR O-ring

T. Max = 110°

Aisi 304 reduction centering ring

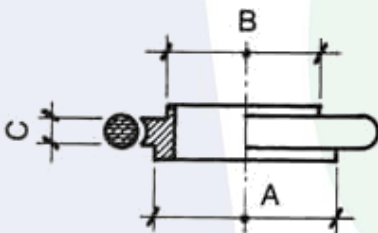


DN - KF	A	B	C	D	CODE
10/16	17	12	3,9	-	K096
20/25	26	22	3,9	-	K097
32/40	41	34	3,9	-	K098

VITON® O-ring

T. Max = 200°

Aluminium reduction centering ring



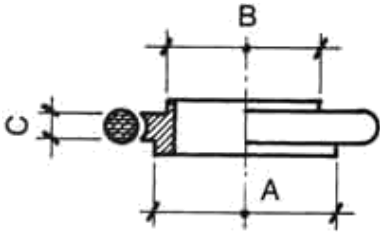
DN - KF	A	B	C	D	CODE
10/16	17	12	3,9	-	K099
20/25	26	22	3,9	-	K100
32/40	41	34	3,9	-	K101

NBR O-ring

T. Max = 110°

KF COMPONENTS

Aluminium reduction centering ring

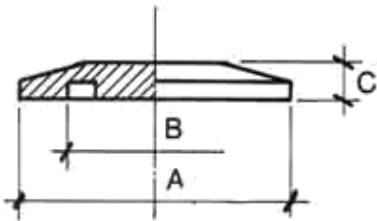


VITON® O-ring

T. Max = 200°

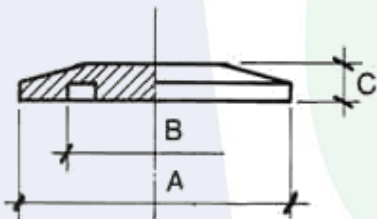
DN - KF	A	B	C	D	CODE
10/16	17	12	3,9	-	K102
20/25	26	22	3,9	-	K103
32/40	41	34	3,9	-	K104

Aisi 304 blind flange



DN - KF	A	B	C	D	CODE
10	30	12	5	-	K105
16	30	17	5	-	K106
20	40	22	5	-	K107
25	40	26	5	-	K108
32	55	34	5	-	K109
40	55	41	5	-	K110
50	75	52	5	-	K111

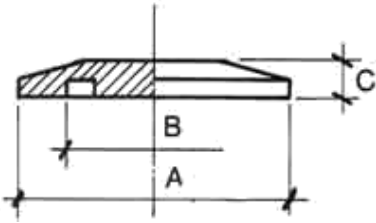
Aisi 316 blind flange



DN - KF	A	B	C	D	CODE
10	30	12	5	-	K112
16	30	17	5	-	K113
20	40	22	5	-	K114
25	40	26	5	-	K115
32	55	34	5	-	K116
40	55	41	5	-	K117
50	75	52	5	-	K118

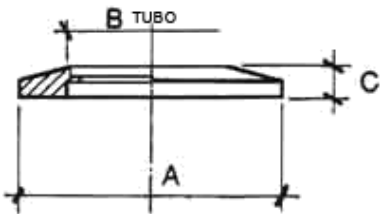
KF COMPONENTS

Aluminium blind flange



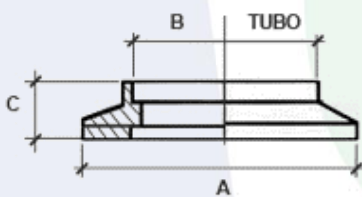
DN - KF	A	B	C	D	CODE
10	30	12	5	-	K119
16	30	17	5	-	K120
25	40	26	5	-	K121
40	55	41	5	-	K122
55	75	52	5	-	K123

Aisi 304 soldering flange



DN - KF	A	B	C	D	CODE
10	30	14	5	-	K124
16	30	20	5	-	K125
25	40	25,4	5	-	K126
25	40	28	5	-	K127
40	55	42,4	5	-	K128
40	55	45	5	-	K129
50	75	50,8	5	-	K130
50	75	54	5	-	K131

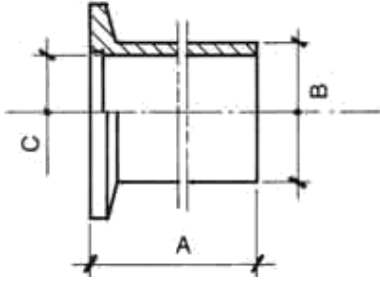
Aisi 304 pocket soldering flange



DN - KF	A	B	C	D	CODE
10	30	13	12	-	K132
16	30	20	12	-	K133
25	40	25,4	12	-	K134
25	40	26,9	12	-	K135
40	55	38	12	-	K136
40	55	42,4	12	-	K137
50	75	50,8	12	-	K138
50	75	54	12	-	K139

KF COMPONENTS

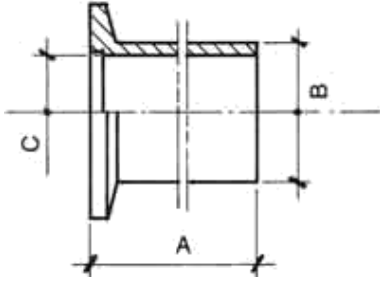
Aisi 304 soldering socket



DN - KF	A	B	C	D	CODE
10	26	14	12	-	K140
	30	14	12	-	K141
	42	14	12	-	K142
	52	14	12	-	K143
	70	14	12	-	K144
16	26	20	17	-	K145
	30	20	17	-	K146
	42	20	17	-	K147
	52	20	17	-	K148
	70	20	17	-	K149
20	26	25	22	-	K150
	52	25	22	-	K151
25	26	25,4	26	-	K152
	26	27	26	-	K153
	26	28	26	-	K154
	30	28	26	-	K155
	42	28	26	-	K156
	55	25,4	26	-	K157
	55	28	26	-	K158
	70	28	26	-	K159
32	26	38	34	-	K160
	58	38	34	-	K161
40	26	38	41	-	K162
	26	42,4	41	-	K163
	26	45	41	-	K164
	26	48,5	41	-	K165
	30	45	41	-	K166
	42	45	41	-	K167
	58	38	41	-	K168
	58	42,4	41	-	K169
	58	45	41	-	K170
	70	45	41	-	K171
	50	26	48,5	52	-
26		50,8	52	-	K173
26		54	52	-	K174
26		57	52	-	K175
26		60,3	52	-	K176
30		57	52	-	K177
42		57	52	-	K178
42		48	52	-	K179
58		50,8	52	-	K180
58		54	52	-	K181
58		57	52	-	K182
70		57	52	-	K183
58		54	52	-	K184
58		57	52	-	K185

KF COMPONENTS

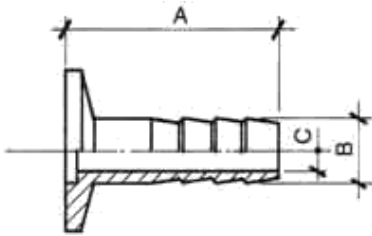
Aisi 316 soldering socket



DN - KF	A	B	C	D	CODE
10	26	14	12	-	K186
	30	14	12	-	K187
	42	14	12	-	K188
	52	14	12	-	K189
	70	14	12	-	K190
16	26	20	17	-	K191
	30	20	17	-	K192
	42	20	17	-	K193
	52	20	17	-	K194
	70	20	17	-	K195
25	26	25,4	26	-	K196
	26	28	26	-	K197
	30	28	26	-	K198
	42	28	26	-	K199
	55	25,4	26	-	K200
	55	28	26	-	K201
	70	28	26	-	K202
40	26	38	41	-	K203
	26	42,4	41	-	K204
	26	45	41	-	K205
	26	48,5	41	-	K206
	30	45	41	-	K207
	42	45	41	-	K208
	58	42,4	41	-	K209
	58	45	41	-	K210
	70	45	41	-	K211
50	26	48,5	52	-	K212
	26	50,8	52	-	K213
	26	54	52	-	K214
	26	57	52	-	K215
	26	60,3	52	-	K216
	30	57	52	-	K217
	42	57	52	-	K218
	58	50,8	52	-	K219
	58	54	52	-	K220
	58	57	52	-	K221
	70	57	52	-	K222

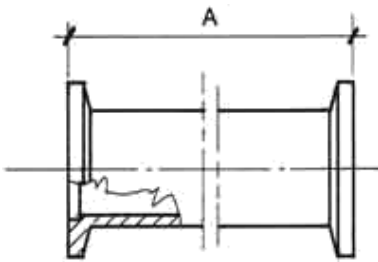
KF COMPONENTS

Aisi 304 hose



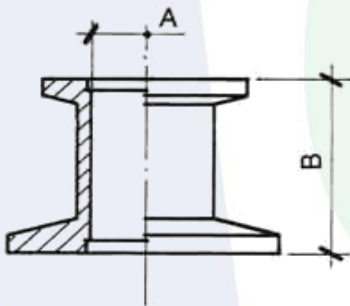
DN - KF	A	B	C	D	CODE
10	40	12	8	-	K223
16	40	12	8	-	K224
25	40	12	8	-	K225
25	40	16	12	-	K226
25	40	20	16	-	K227
40	40	12	8	-	K228
40	40	25	21	-	K229

Aisi 304 straight junction



DN - KF	A	B	C	D	CODE
10	60	-	-	-	K230
16	80	-	-	-	K231
25	100	-	-	-	K232
40	130	-	-	-	K233
50	140	-	-	-	K234

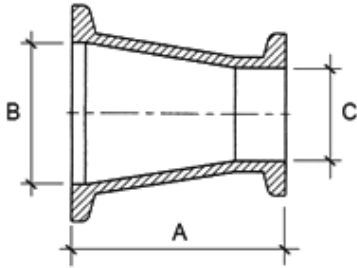
Aisi 304 KF reduction



DN - KF	A	B	C	D	CODE
25/10	10	28	-	-	K235
25/16	16	28	-	-	K236
40/10	10	28	-	-	K237
40/16	16	28	-	-	K238
40/25	24	28	-	-	K239
50/16	16	28	-	-	K240
50/25	24	28	-	-	K241
50/40	41	28	-	-	K242

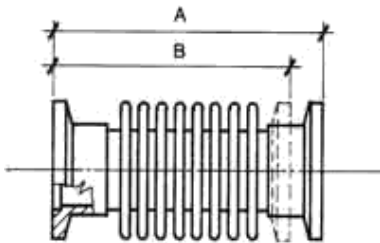
KF COMPONENTS

Aisi 304 KF conical reduction



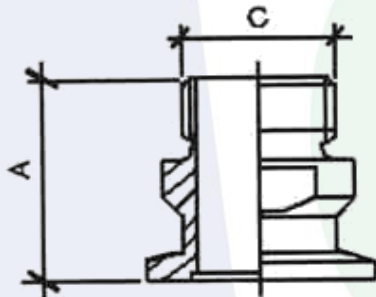
DN - KF	A	B	C	D	CODE
25/16	28	24	16	-	K243
40/16	40	40	16	-	K244
40/25	40	40	24	-	K245
50/25	40	50	24	-	K246
50/40	40	50	40	-	K247

Aisi 304 bellows



DN - KF	A	B	C	D	CODE
16	90	80	-	-	K248
25	100	80	-	-	K249
40	120	100	-	-	K250
50	120	100	-	-	K251

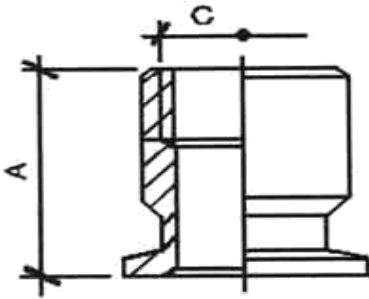
Aisi 304 KF/GA S male adapter



DN - KF	A	B	C	D	CODE
16-1/8	23	-	1/8	-	K252
16-1/4	27	-	1/4	-	K253
16-3/8	27	-	3/8	-	K254
16-1/2	33	-	1/2	-	K255
25-1/4	27	-	1/4	-	K256
25-3/8	27	-	3/8	-	K257
25-1/2	33	-	1/2	-	K258
25-3/4	36,5	-	3/4	-	K259
25-1	38	-	1	-	K260
40-1	40	-	1	-	K261
40-1 1/4	43	-	1 1/4	-	K262
40-1 1/2	45	-	1 1/2	-	K263
50-1 1/4	43	-	1 1/4	-	K264
50-1 1/2	43	-	1 1/2	-	K265
50-2	45	-	2	-	K266

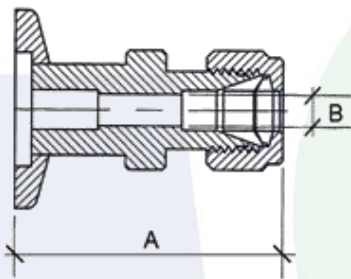
KF COMPONENTS

Aisi 304 KF/GA S female adapter



DN - KF	A	B	C	D	CODE
16-1/8	20	-	1/8	-	K267
16-1/4	20	-	1/4	-	K268
16-3/8	25	-	3/8	-	K269
25-1/4	20	-	1/4	-	K270
25-3/8	25	-	3/8	-	K271
25-1/2	25	-	1/2	-	K272
25-3/4	35	-	3/4	-	K273
25-1	35	-	1	-	K274
40-1	35	-	1	-	K275
40-1 1/4	40	-	1 1/4	-	K276
50-1 1/4	40	-	1 1/4	-	K277
50-1 1/2	45	-	1 1/2	-	K278
50-2	50	-	2	-	K279

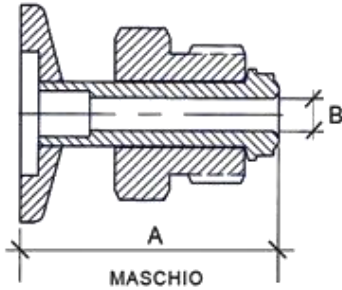
Aisi 304 KF/SWAGELOCK® adapter



DN - KF	A	B	C	D	CODE
10	35	1/4	-	-	K280
16	35	1/4	-	-	K281
16	45	1/2	-	-	K282
25	35	1/4	-	-	K283
25	40	3/8	-	-	K284
25	45	1/2	-	-	K285
40	35	1/4	-	-	K286
40	40	3/8	-	-	K287
40	45	1/2	-	-	K288
50	35	1/4	-	-	K289
50	40	3/8	-	-	K290
50	45	1/2	-	-	K291

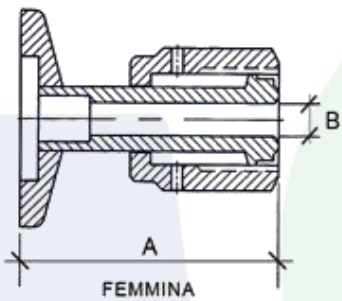
KF COMPONENTS

Aisi 304 KF/VCR® male adapter



DN - KF	A	B	C	D	CODE
10	35	1/4	-	-	K292
16	35	1/4	-	-	K293
16	40	1/2	-	-	K294
25	35	1/4	-	-	K295
25	40	1/2	-	-	K296
25	55	3/4	-	-	K297
40	35	1/4	-	-	K298
40	40	1/2	-	-	K299
40	55	3/4	-	-	K300
50	35	1/4	-	-	K301
50	40	1/2	-	-	K302
50	55	3/4	-	-	K303

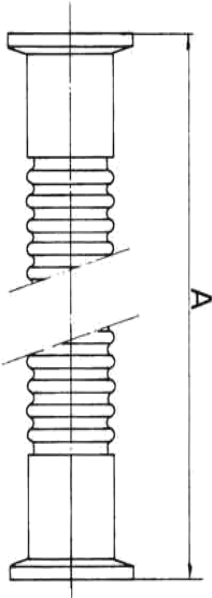
Aisi 304 KF/VCR® female adapter



DN - KF	A	B	C	D	CODE
10	35	1/4	-	-	K304
16	35	1/4	-	-	K305
16	40	1/2	-	-	K306
25	35	1/4	-	-	K307
25	40	1/2	-	-	K308
25	55	3/4	-	-	K309
40	35	1/4	-	-	K310
40	40	1/2	-	-	K311
40	55	3/4	-	-	K312
50	35	1/4	-	-	K313
50	40	1/2	-	-	K314
50	55	3/4	-	-	K315

KF COMPONENTS

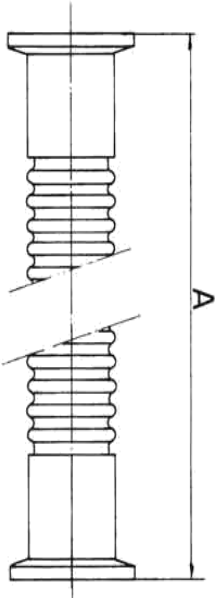
Aisi 304 flexible



DN - KF	A	B	C	D	CODE
10	250	-	-	-	K316
	500	-	-	-	K317
	750	-	-	-	K318
	1000	-	-	-	K319
	1500	-	-	-	K320
	2000	-	-	-	K321
	3000	-	-	-	K322
16	250	-	-	-	K323
	500	-	-	-	K324
	750	-	-	-	K325
	1000	-	-	-	K326
	1500	-	-	-	K327
	2000	-	-	-	K328
	3000	-	-	-	K329
25	250	-	-	-	K330
	500	-	-	-	K331
	750	-	-	-	K332
	1000	-	-	-	K333
	1500	-	-	-	K334
	2000	-	-	-	K335
	3000	-	-	-	K336
40	250	-	-	-	K337
	500	-	-	-	K338
	750	-	-	-	K339
	1000	-	-	-	K340
	1500	-	-	-	K341
	2000	-	-	-	K342
	3000	-	-	-	K343
50	250	-	-	-	K344
	500	-	-	-	K345
	750	-	-	-	K346
	1000	-	-	-	K347
	1500	-	-	-	K348
	2000	-	-	-	K349
	3000	-	-	-	K350

KF COMPONENTS

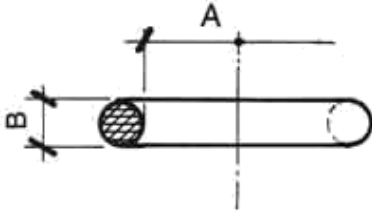
Aisi 304 annealed flexible



DN - KF	A	B	C	D	CODE
10	250	-	-	-	K351
	500	-	-	-	K352
	750	-	-	-	K353
	1000	-	-	-	K354
	1500	-	-	-	K355
	2000	-	-	-	K356
	3000	-	-	-	K357
16	250	-	-	-	K358
	500	-	-	-	K359
	750	-	-	-	K360
	1000	-	-	-	K361
	1500	-	-	-	K362
	2000	-	-	-	K363
	3000	-	-	-	K364
25	250	-	-	-	K365
	500	-	-	-	K366
	750	-	-	-	K367
	1000	-	-	-	K368
	1500	-	-	-	K369
	2000	-	-	-	K370
	3000	-	-	-	K371
40	250	-	-	-	K372
	500	-	-	-	K373
	750	-	-	-	K374
	1000	-	-	-	K375
	1500	-	-	-	K376
	2000	-	-	-	K377
	3000	-	-	-	K378
50	250	-	-	-	K379
	500	-	-	-	K380
	750	-	-	-	K381
	1000	-	-	-	K382
	1500	-	-	-	K383
	2000	-	-	-	K384
	3000	-	-	-	K385

KF COMPONENTS

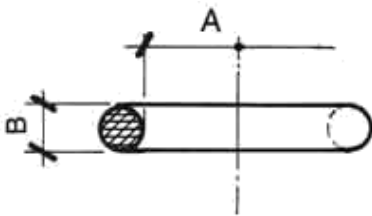
O-ring



NBR O-ring
T. Max = 110°

DN - KF	A	B	C	D	CODE
10	15	5	-	-	K386
16	18	5	-	-	K387
20	25	5	-	-	K388
25	28	5	-	-	K389
32	40,65	5,33	-	-	K390
40	40,65	5,33	-	-	K391
50	53,34	5,33	-	-	K392

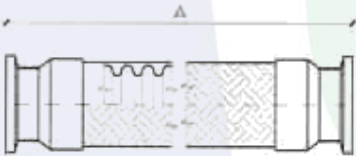
O-ring



VITON® O-ring
T. Max = 200°

DN - KF	A	B	C	D	CODE
10	15	5	-	-	K393
16	18	5	-	-	K394
20	25	5	-	-	K395
25	28	5	-	-	K396
32	40,65	5,33	-	-	K397
40	46,65	5,33	-	-	K398
50	53,34	5,33	-	-	K399

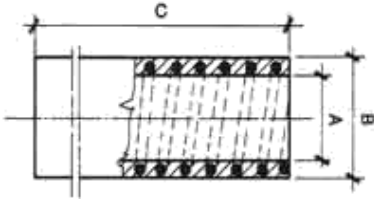
Aisi 304 VACUUM/PRESSURE flexible



DN - KF	A	B	C	D	CODE
16	150	-	-	-	K400
	250	-	-	-	K401
	500	-	-	-	K402
	1000	-	-	-	K403
	1500	-	-	-	K404
25	150	-	-	-	K405
	250	-	-	-	K406
	500	-	-	-	K407
	1000	-	-	-	K408
	1500	-	-	-	K409
40	150	-	-	-	K410
	250	-	-	-	K411
	500	-	-	-	K412
	1000	-	-	-	K413
	1500	-	-	-	K414

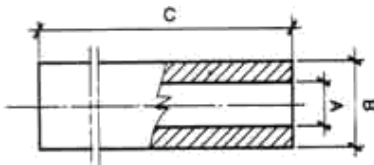
KF COMPONENTS

PVC armed tube



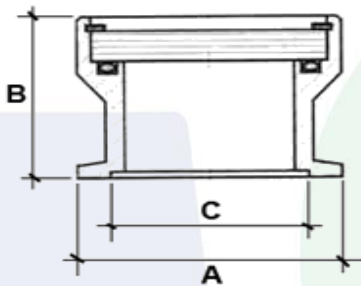
DN - KF	A	B	C	D	CODE
10	10	20	1 Mt.	-	K415
16	16	25	1 Mt.	-	K416
25	25	35	1 Mt.	-	K417
40	40	50	1 Mt.	-	K418

PARA RUBBER tube



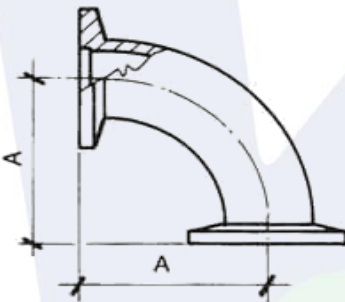
DN - KF	A	B	C	D	CODE
10	10	20	1 Mt.	-	K419
16	15	35	1 Mt.	-	K420
25	25	45	1 Mt.	-	K421

Aisi 304 window



DN - KF	A	B	C	D	CODE
25	40	25	-	-	K422
40	55	25	-	-	K423
50	75	25	-	-	K424

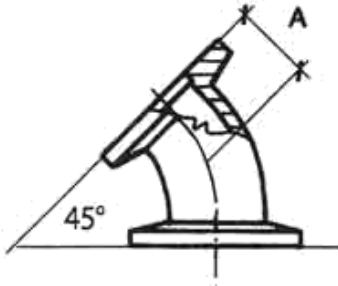
Aisi 304 90° curve



DN - KF	A	B	C	D	CODE
10	30	-	-	-	K425
16	40	-	-	-	K426
25	50	-	-	-	K427
40	65	-	-	-	K428
50	75	-	-	-	K429

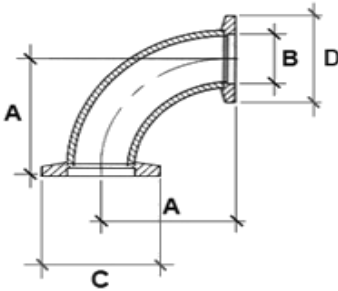
KF COMPONENTS

Aisi 304 45° curve



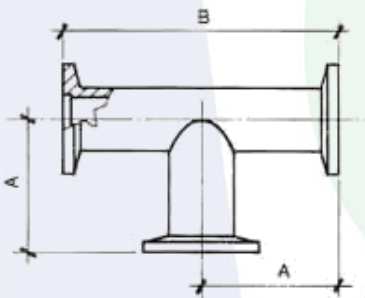
DN - KF	A	B	C	D	CODE
16	18	-	-	-	K430
25	23	-	-	-	K431
40	28	-	-	-	K432
50	32	-	-	-	K433

Aisi 304 90° reduction curve



DN - KF	A	B	C	D	CODE
16/25	40	17	40	30	K434
25/40	50	24	55	40	K435
40/50	65	41	75	55	K436

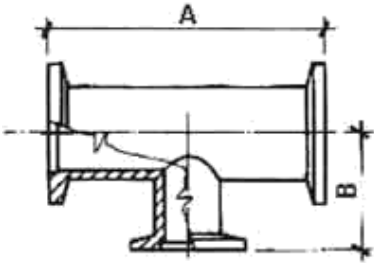
Aisi 304 tee junction



DN - KF	A	B	C	D	CODE
10	30	60	-	-	K437
16	40	80	-	-	K438
25	50	100	-	-	K439
40	65	130	-	-	K440
50	70	140	-	-	K441

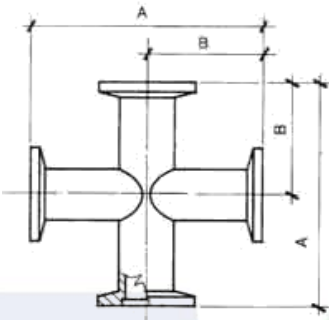
KF COMPONENTS

Aisi 304 tee junction reduction



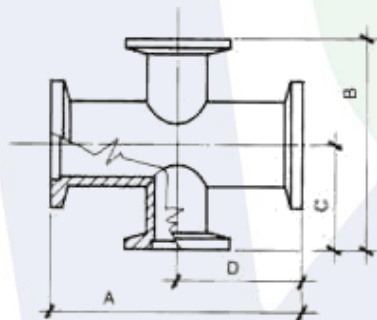
DN - KF	A	B	C	D	CODE
25/10	100	30	-	-	K442
25/16	100	40	-	-	K443
40/10	130	40	-	-	K444
40/16	130	40	-	-	K445
40/25	130	50	-	-	K446
50/16	140	40	-	-	K447
50/25	140	50	-	-	K448
50/40	140	65	-	-	K449

Aisi 304 cross junction



DN - KF	A	B	C	D	CODE
10	60	30	-	-	K450
16	80	40	-	-	K451
25	100	50	-	-	K452
40	130	65	-	-	K453
50	140	70	-	-	K454

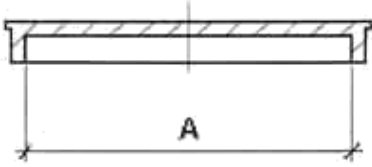
Aisi 304 cross junction reduction



DN - KF	A	B	C	D	CODE
41937	100	80	40	50	K455
25/16	100	80	40	50	K456
40/10	130	80	40	65	K457
40/16	130	80	40	65	K458
40/25	130	100	50	65	K459
50/40	140	130	65	70	K460

KF COMPONENTS

PVC protection cap



DN - KF	A	B	C	D	CODE
42644	30	-	-	-	K461
20/25	40	-	-	-	K462
32/40	55	-	-	-	K463
50	75	-	-	-	K464