



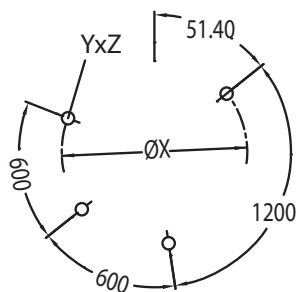
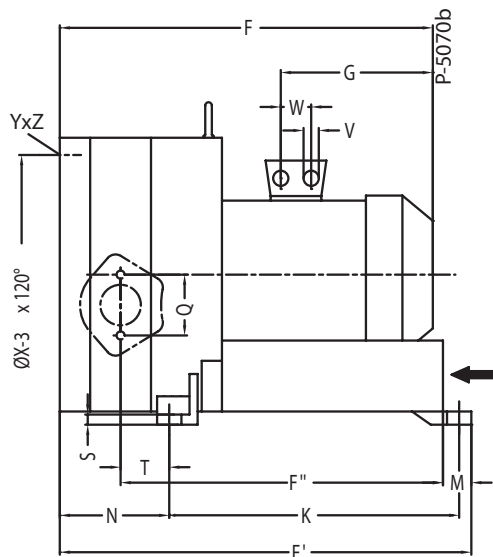
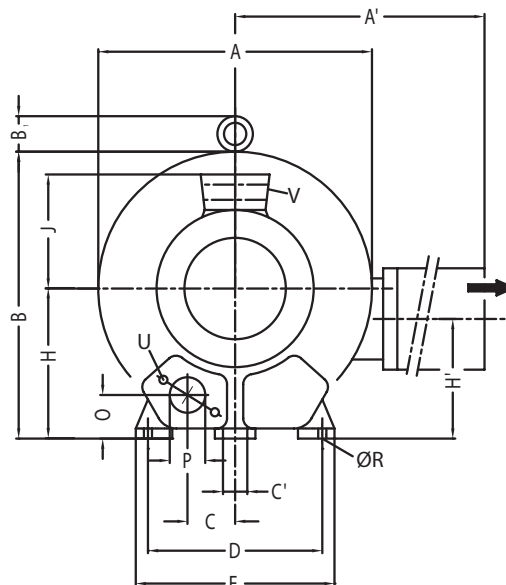
# COMPRESSORI - ASPIRATORI A CANALE LATERALE

SIDE CHANNEL  
COMPRESSORS AND  
VACUUM PUMPS

SC902PG12.5T / 16.5T / 20T / 25T



Dimensioni / Dimensions = mm



Emmecom s.r.l.

Via P. Nenni, 70  
20093 Cologno Monzese (MI)  
Tel. +39 02 25 33 300 (r.a.)  
Fax +39 02 27 307 908  
www.emmecomsrl.com  
sales@emmecomsrl.com

	Phase Fase	A	A'	B	B <sub>1</sub>	C	C'	D	E	F	F'	F''	G	H	H'	J	K	M	N	O	ØP	Q	ØR	S	T	U	V	W	ØX	YxZ	X-holes X-fori
SC902PG12.5T	3~	615	780	607	16	103.5	15	360	415	752	786	634	345	300	234	197	533	39	230	92	G4"	150	15	21	117	M12x30	4xM40x1.5	54	490	M12x30	51.4°/120°/240°
SC902PG16.5T	3~	615	780	607	16	103.5	15	360	415	752	786	634	345	300	234	197	533	39	230	92	G4"	150	15	21	117	M12x30	4xM40x1.5	54	490	M12x30	51.4°/120°/240°
SC902PG20T	3~	615	780	607	16	103.5	15	360	415	752	786	634	345	300	234	197	533	39	230	92	G4"	150	15	21	117	M12x30	4xM40x1.5	54	490	M12x30	51.4°/120°/240°
SC902PG25T	3~	615	780	607	16	103.5	15	360	415	812	786	634	345	300	234	197	533	39	230	92	G4"	150	15	21	117	M12x30	4xM40x1.5	54	490	M12x30	51.4°/120°/240°